

eboris 1300 ultra Ivory



eboris 1300 ultra Black



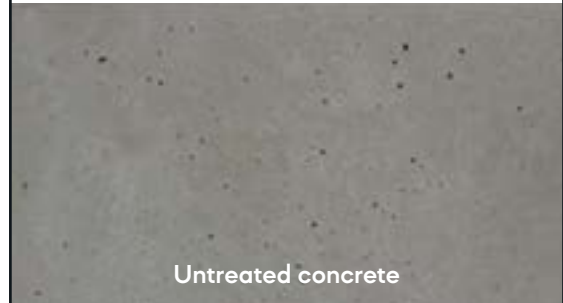


Untreated concrete

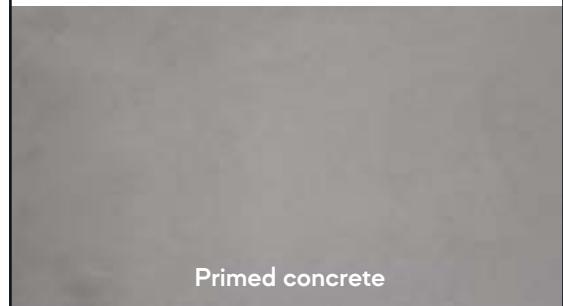


Primed concrete

IMPORTANT! NOTE ON SURFACES



Untreated concrete



Primed concrete

SIM

The SIM collection fireplaces are available in two modern surface versions: You have the choice of our concrete nature design or smoothed finegrained concrete.

Concrete nature is defined by a smooth, unaltered aesthetic. The natural finish of the concrete surface is characterised by visible air inclusions resulting from production and shades of colour. This design has a strong personality and makes each fireplace a unique piece.

Alternatively, the fireplace surface is made of smoothed fine-grained concrete. This surface is processed to create a homogeneous, somewhat rougher feel. This surface is the perfect basis for the further colour design of the fireplace.

Thanks to their timeless character, both concrete surfaces will fit seamlessly into any design environment.





SIM Varia 2L-55h 1/3



SIM Varia 2L-55h 2/3



SIM Varia 2L-55h 3/3

- Firewood
- 33 cm
- Slide-up, not self-closing
- Right stop
- Single glazing
- A** ⁺ ₆
- 7.0 kW
- 4.9 - 9.1 kW
- P. 60

MODEL	ITEM NO.	PRICE (€)	VERSION	INDEX	SURCHARGE (€)
SIM Varia 2L-55h	1074037	6,109.24	RLA	RLA	0.00
EBORIS 1300 ULTRA BLACK			RLU	RLU	0.00
Refractories complete set ❶	S	341.18			

MODULE CLADDING	VERSION	INDEX	SURCHARGE (€)
SIM 1/3 Untreated concrete	RLA	NA1/3	0.00
SIM 2/3 Untreated concrete	RLA	NA2/3	333.61
SIM 3/3 Untreated concrete	RLA	NA3/3	664.71
SIM 1/3 Primed concrete	RLA	FB1/3	1,219.33
SIM 2/3 Primed concrete	RLA	FB2/3	1,621.01
SIM 3/3 Primed concrete	RLA	FB3/3	2,022.69
SIM 1/3 Untreated concrete	RLU	NA1/3	0.00
SIM 2/3 Untreated concrete	RLU	NA2/3	673.95
SIM 3/3 Untreated concrete	RLU	NA3/3	1,005.88
SIM 1/3 Primed concrete	RLU	FB1/3	1,628.57
SIM 2/3 Primed concrete	RLU	FB2/3	2,031.09
SIM 3/3 Primed concrete	RLU	FB3/3	2,434.45

⚠ Optional extension modules for an installation flush with the ceiling

⚠ RLU: Suitable for multiple use

ACCESSORIES	DESCRIPTION	INDEX	SURCHARGE (€)
Extension module	Untreated concrete, height 265 mm	M	350.42
	Primed concrete, height 265 mm	M	425.21
Insulation kit	For an installation flush with the ceiling	MD	98.32
Radiation protection	For a flush with the wall construction	MS	105.04
SVS	Separate combustion air connector with single-hand clamp lock Compatibility: NA1/3, FB1/3	SVS	129.00
	Separate combustion air connector incl. clip (downward) Compatibility: NA2/3, NA3/3, FB2/3, FB3/3	SVSU	69.00

CAIR	DESCRIPTION	INDEX	SURCHARGE (€)
S-THERMATIK NEO ❷	Combustion control for fireplaces with black display frame ❸	NEOS	1,480.00
	Combustion control for fireplaces with white display frame ❸	NEOW	1,480.00
	Protective housing for the control unit, including membrane for wire routing	SSK	42.00
S-THERMATIK NEO BASIC ❷	Combustion control for fireplaces	NEOB	775.00
S-USI II	Underpressure control interface	SBZ	950.00
	Wall mounting box incl. glass cover	WED	164.00

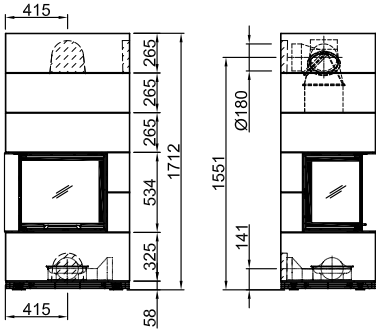
❶ Price when ordered with fireplace!

❷ When ordering with the fireplace

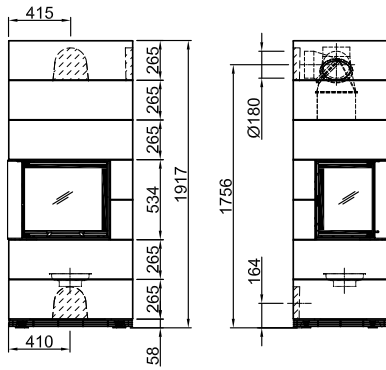
❸ The display must be placed externally

FRONT VIEW | SIDE VIEW

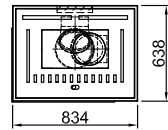
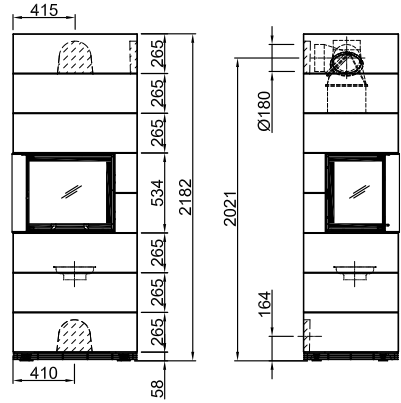
SIM Varia 2L-55h 1/3



SIM Varia 2L-55h 2/3



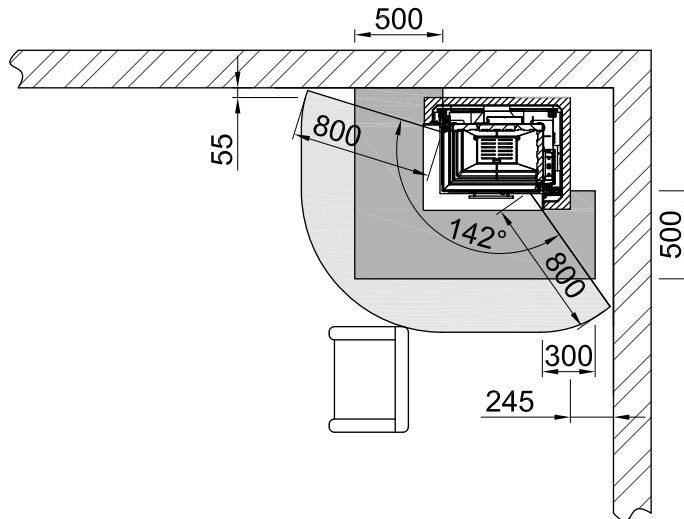
SIM Varia 2L-55h 3/3



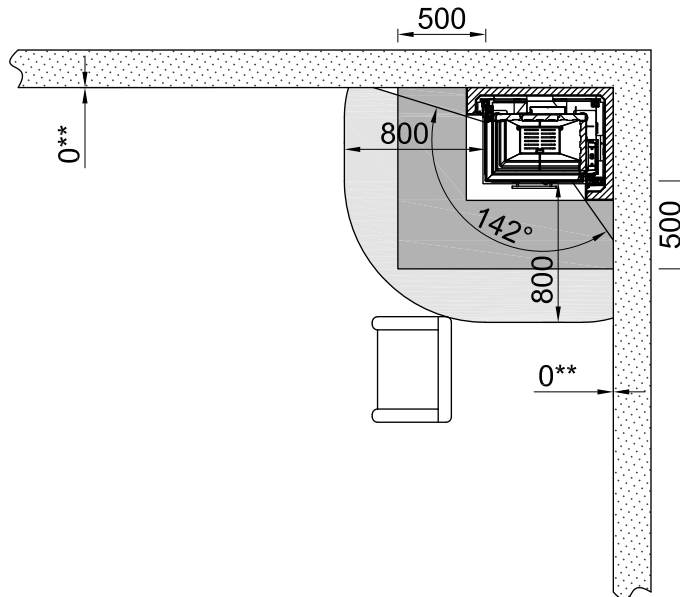
SIM Varia 2L-55h
Top view

FIRE CAUTIONS

INSTALLATION SITUATION WITH PROTECTED REAR WALL



INSTALLATION SITUATION WITH UNPROTECTED REAR WALL



** Using a heat protection plate



SIM Varia 2R-55h 1/3



SIM Varia 2R-55h 2/3



SIM Varia 2R-55h 3/3

- Firewood
- 33 cm
- Slide-up, not self-closing
- Left stop
- Single glazing
- A** ⁺ ₆
- 7.0 kW
- 4.9 - 9.1 kW
- P. 60

MODEL	ITEM NO.	PRICE (€)	VERSION	INDEX	SURCHARGE (€)
SIM Varia 2R-55h	1074070	6,109.24	RLA	RLA	0.00
EBORIS 1300 ULTRA BLACK			RLU	RLU	0.00
Refractories complete set ❶	S	341.18			

MODULE CLADDING	VERSION	INDEX	SURCHARGE (€)
SIM 1/3 Untreated concrete	RLA	NA1/3	0.00
SIM 2/3 Untreated concrete	RLA	NA2/3	333.61
SIM 3/3 Untreated concrete	RLA	NA3/3	664.71
SIM 1/3 Primed concrete	RLA	FB1/3	1,219.33
SIM 2/3 Primed concrete	RLA	FB2/3	1,621.01
SIM 3/3 Primed concrete	RLA	FB3/3	2,022.69
SIM 1/3 Untreated concrete	RLU	NA1/3	0.00
SIM 2/3 Untreated concrete	RLU	NA2/3	673.95
SIM 3/3 Untreated concrete	RLU	NA3/3	1,005.88
SIM 1/3 Primed concrete	RLU	FB1/3	1,628.57
SIM 2/3 Primed concrete	RLU	FB2/3	2,031.09
SIM 3/3 Primed concrete	RLU	FB3/3	2,434.45

⚠ Optional extension modules for an installation flush with the ceiling

⚠ RLU: Suitable for multiple use

ACCESSORIES	DESCRIPTION	INDEX	SURCHARGE (€)
Extension module	Untreated concrete, height 265 mm	M	350.42
	Primed concrete, height 265 mm	M	425.21
Insulation kit	For an installation flush with the ceiling	MD	98.32
Radiation protection	For a flush with the wall construction	MS	105.04
SVS	Separate combustion air connector with single-hand clamp lock Compatibility: NA1/3, FB1/3	SVS	129.00
	Separate combustion air connector incl. clip (downward) Compatibility: NA2/3, NA3/3, FB2/3, FB3/3	SVSU	69.00

CAIR	DESCRIPTION	INDEX	SURCHARGE (€)
S-THERMATIK NEO ❷	Combustion control for fireplaces with black display frame ❸	NEOS	1,480.00
	Combustion control for fireplaces with white display frame ❸	NEOW	1,480.00
	Protective housing for the control unit, including membrane for wire routing	SSK	42.00
S-THERMATIK NEO BASIC ❷	Combustion control for fireplaces	NEOB	775.00
S-USI II	Underpressure control interface	SBZ	950.00
	Wall mounting box incl. glass cover	WED	164.00

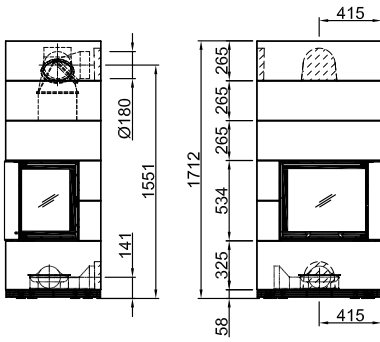
❶ Price when ordered with fireplace!

❷ When ordering with the fireplace

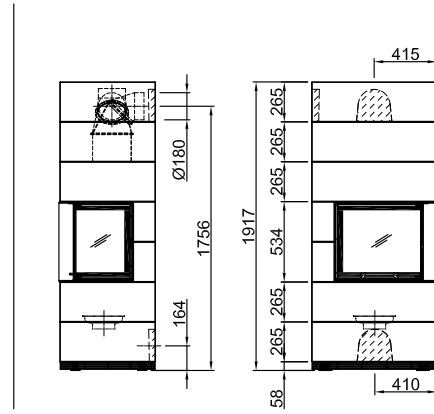
❸ The display must be placed externally

FRONT VIEW | SIDE VIEW

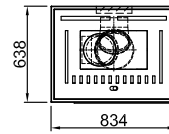
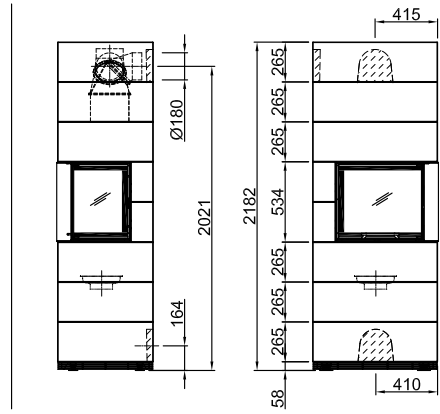
SIM Varia 2R-55h 1/3



SIM Varia 2R-55h 2/3



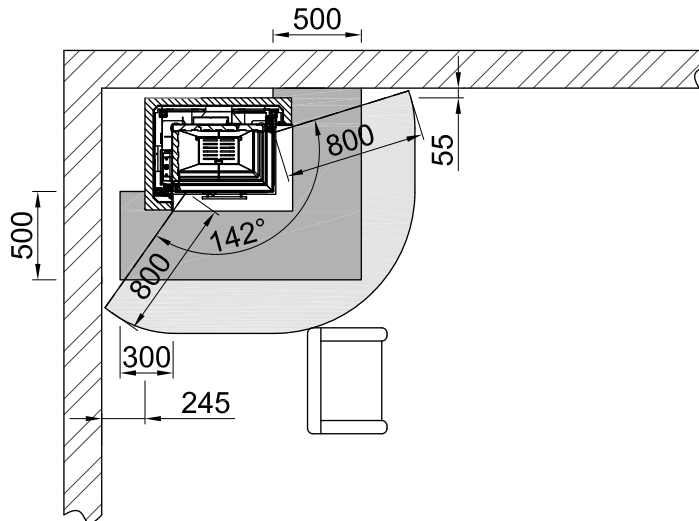
SIM Varia 2R-55h 3/3



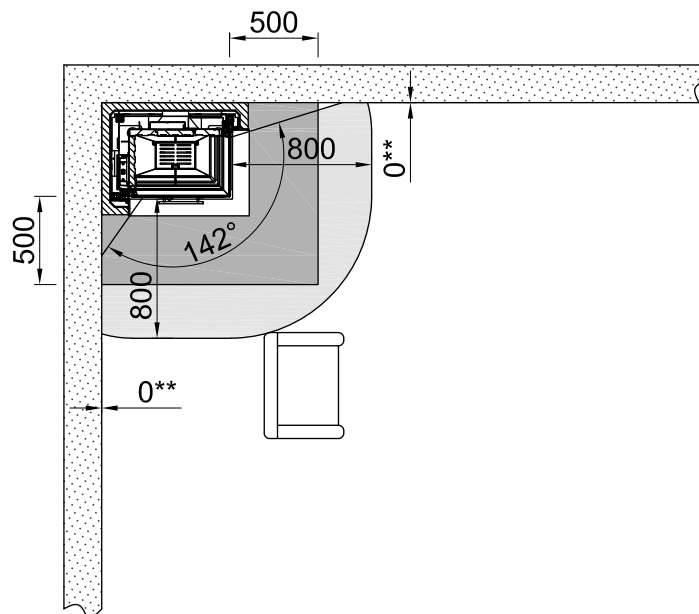
SIM Varia 2R-55h
Top view

FIRE CAUTIONS

INSTALLATION SITUATION WITH PROTECTED REAR WALL



INSTALLATION SITUATION WITH UNPROTECTED REAR WALL



** Using a heat protection plate



SIM Varia 2Lh 1/3



SIM Varia 2Lh 2/3



SIM Varia 2Lh 3/3

- Firewood
- 33 cm
- Slide-up, not self-closing
- Right stop
- Single glazing
- A** ¹/₆
- 10.5 kW
- 7.4 - 13.7 kW
- P. 60

MODEL	ITEM NO.	PRICE (€)	VERSION	INDEX	SURCHARGE (€)
SIM Varia 2Lh	1074074	6,394.96	RLA	RLA	0.00
EBORIS 1300 ULTRA BLACK	INDEX	SURCHARGE (€)			
Refractories complete set ①	S	371.18			

MODULE CLADDING	VERSION	INDEX	SURCHARGE (€)
SIM 1/3 Untreated concrete	RLA	NA1/3	0.00
SIM 2/3 Untreated concrete	RLA	NA2/3	333.61
SIM 3/3 Untreated concrete	RLA	NA3/3	665.55
SIM 1/3 Primed concrete	RLA	FB1/3	1,274.79
SIM 2/3 Primed concrete	RLA	FB2/3	1,677.31
SIM 3/3 Primed concrete	RLA	FB3/3	2,079.83

⚠ Optional extension modules for an installation flush with the ceiling

ACCESSORIES	DESCRIPTION	INDEX	SURCHARGE (€)
Extension module	Untreated concrete, height 265 mm	M	350.42
	Primed concrete, height 265 mm	M	425.21
Insulation kit	For an installation flush with the ceiling	MD	98.32
Radiation protection	For a flush with the wall construction	MS	105.04
SVS	Separate combustion air connector with single-hand clamp lock Compatibility: NA1/3, FB1/3	SVS	129.00
	Separate combustion air connector incl. clip (downward) Compatibility: NA2/3, NA3/3, FB2/3, FB3/3	SVSU	69.00

CAIR	DESCRIPTION	INDEX	SURCHARGE (€)
S-THERMATIK NEO ②	Combustion control for fireplaces with black display frame ①	NEOS	1,480.00
	Combustion control for fireplaces with white display frame ①	NEOW	1,480.00
	Protective housing for the control unit, including membrane for wire routing	SSK	42.00
S-THERMATIK NEO BASIC ②	Combustion control for fireplaces	NEOB	775.00
S-ESAM 3.0	Electric sliding door with remote control (⚠ RLA only)	1092751	1,150.00
S-USI II	Underpressure control interface	SBZ	950.00
	Wall mounting box incl. glass cover	WED	164.00

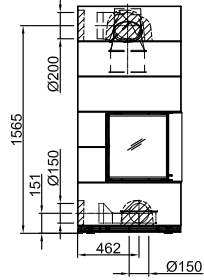
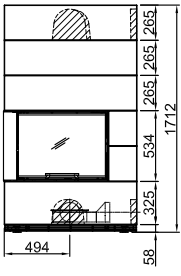
① Price when ordered with fireplace!

② When ordering with the fireplace

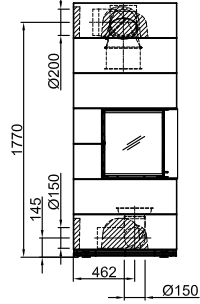
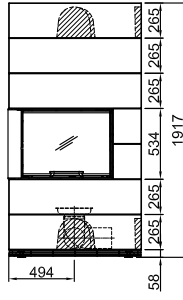
③ The display must be placed externally

FRONT VIEW | SIDE VIEW

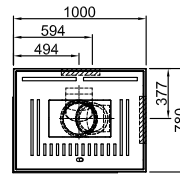
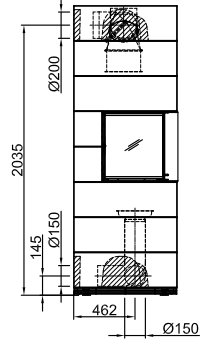
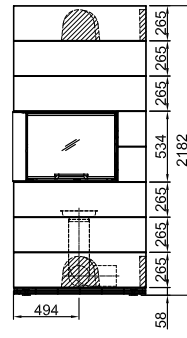
SIM Varia 2Lh 1/3



SIM Varia 2Lh 2/3



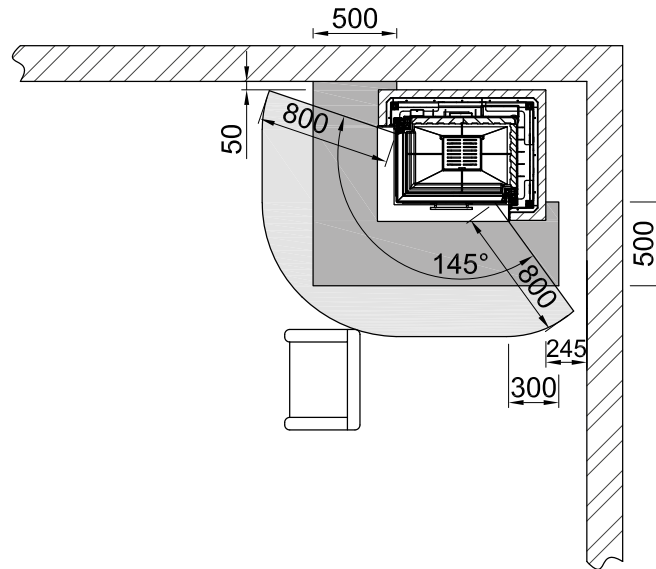
SIM Varia 2Lh 3/3



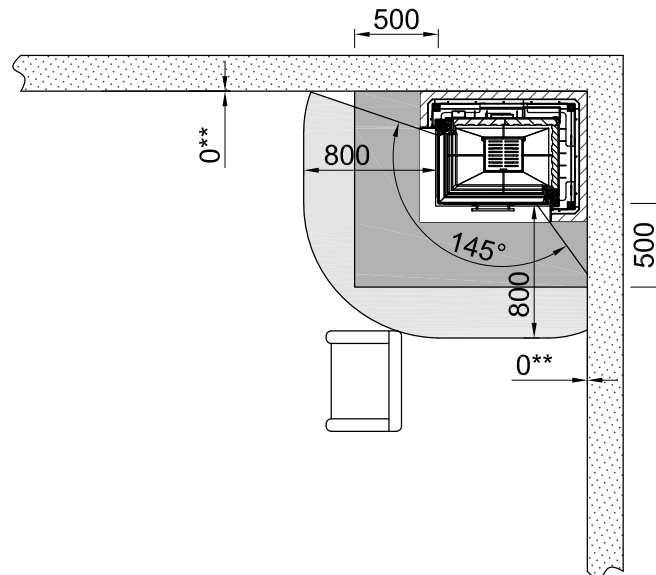
SIM Varia 2Lh
Top view

FIRE CAUTIONS

INSTALLATION SITUATION WITH PROTECTED REAR WALL



INSTALLATION SITUATION WITH UNPROTECTED REAR WALL



** Using a heat protection plate



SIM Varia 2Rh 1/3



SIM Varia 2Rh 2/3



SIM Varia 2Rh 3/3

- Firewood
- 33 cm
- Slide-up, not self-closing
- Left stop
- Single glazing
- A** ¹/₆
- 10.5 kW
- 7.4 - 13.7 kW
- P. 60

MODEL	ITEM NO.	PRICE (€)	VERSION	INDEX	SURCHARGE (€)
SIM Varia 2Rh	1074076	6,394.96	RLA	RLA	0.00
EBORIS 1300 ULTRA BLACK	INDEX	SURCHARGE (€)			
Refractories complete set ¹	S	371.18			

MODULE CLADDING	VERSION	INDEX	SURCHARGE (€)
SIM 1/3 Untreated concrete	RLA	NA1/3	0.00
SIM 2/3 Untreated concrete	RLA	NA2/3	333.61
SIM 3/3 Untreated concrete	RLA	NA3/3	665.55
SIM 1/3 Primed concrete	RLA	FB1/3	1,274.79
SIM 2/3 Primed concrete	RLA	FB2/3	1,677.31
SIM 3/3 Primed concrete	RLA	FB3/3	2,079.83

¹ Optional extension modules for an installation flush with the ceiling

ACCESSORIES	DESCRIPTION	INDEX	SURCHARGE (€)
Extension module	Untreated concrete, height 265 mm	M	350.42
	Primed concrete, height 265 mm	M	425.21
Insulation kit	For an installation flush with the ceiling	MD	98.32
Radiation protection	For a flush with the wall construction	MS	105.04
SVS	Separate combustion air connector with single-hand clamp lock Compatibility: NA1/3, FB1/3	SVS	129.00
	Separate combustion air connector incl. clip (downward) Compatibility: NA2/3, NA3/3, FB2/3, FB3/3	SVSU	69.00

CAIR	DESCRIPTION	INDEX	SURCHARGE (€)
S-THERMATIK NEO ²	Combustion control for fireplaces with black display frame ³	NEOS	1,480.00
	Combustion control for fireplaces with white display frame ³	NEOW	1,480.00
S-THERMATIK NEO BASIC ³	Protective housing for the control unit, including membrane for wire routing	SSK	42.00
S-THERMATIK NEO BASIC ³	Combustion control for fireplaces	NEOB	775.00
S-ESAM 3.0	Electric sliding door with remote control ¹ (RLA only)	1092754	1,150.00
S-USI II	Underpressure control interface	SBZ	950.00
	Wall mounting box incl. glass cover	WED	164.00

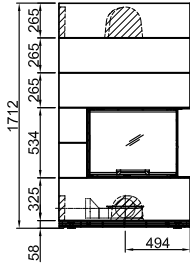
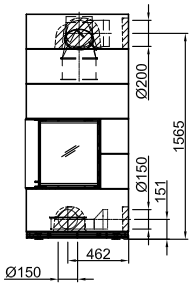
¹ Price when ordered with fireplace!

² When ordering with the fireplace

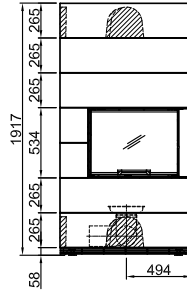
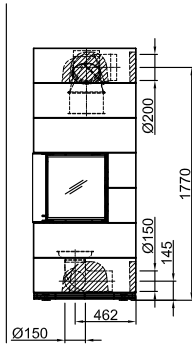
³ The display must be placed externally

FRONT VIEW | SIDE VIEW

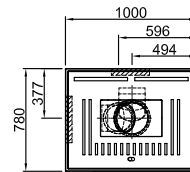
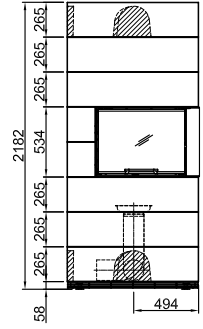
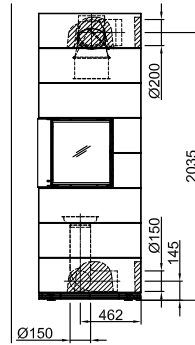
SIM Varia 2Rh 1/3



SIM Varia 2Rh 2/3



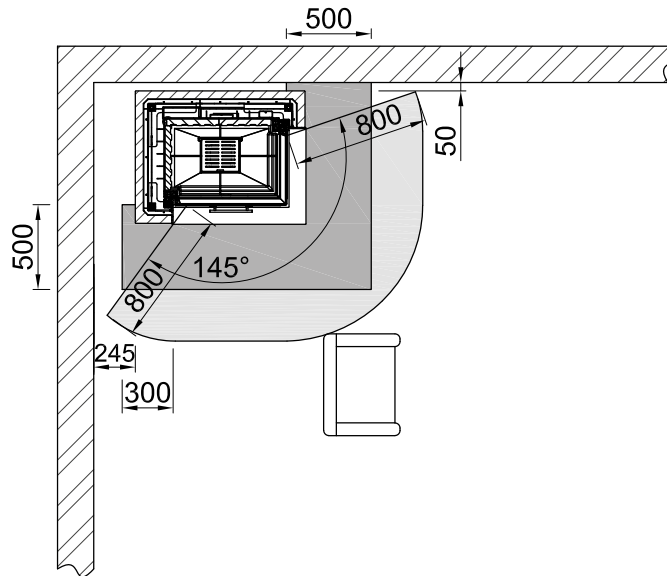
SIM Varia 2Rh 3/3



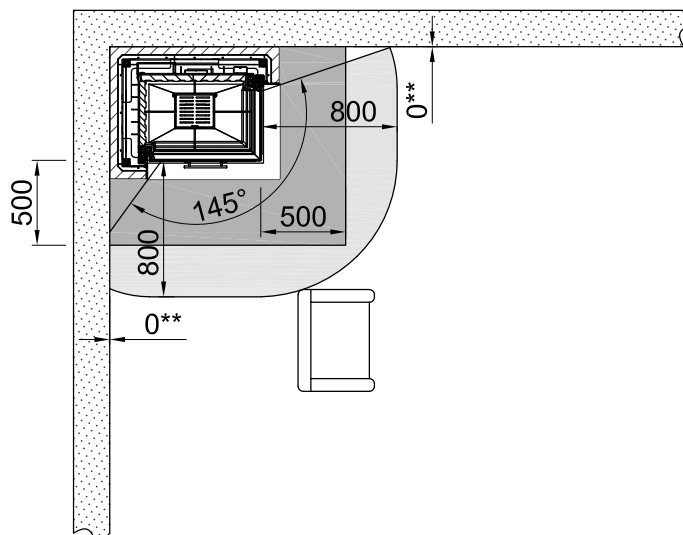
SIM Varia 2Rh
Top view

FIRE CAUTIONS

INSTALLATION SITUATION WITH PROTECTED REAR WALL



INSTALLATION SITUATION WITH UNPROTECTED REAR WALL



** Using a heat protection plate



SIM Arte U-50h 1/3



SIM Arte U-50h 2/3



SIM Arte U-50h 3/3

- Firewood
- 33 cm
- Slide-up, not self-closing
- Left/right stop
- Single glazing
- A** ¹/₆
- 9.3 kW
- 6.5 - 12.1 kW
- P. 60

MODEL	ITEM NO.	PRICE (€)	VERSION	INDEX	SURCHARGE (€)
SIM Arte U-50h	1074079	7,974.79	RLA	RLA	0.00
EBORIS 1300 ULTRA BLACK	INDEX	SURCHARGE (€)			
Refractories complete set ❶	S	255.88			

MODULE CLADDING	VERSION	INDEX	SURCHARGE (€)
SIM 1/3 Untreated concrete	RLA	NA1/3	0.00
SIM 2/3 Untreated concrete	RLA	NA2/3	333.61
SIM 3/3 Untreated concrete	RLA	NA3/3	666.39
SIM 1/3 Primed concrete	RLA	FB1/3	1,580.67
SIM 2/3 Primed concrete	RLA	FB2/3	1,982.35
SIM 3/3 Primed concrete	RLA	FB3/3	2,384.03

- ⚠ Optional extension modules for an installation flush with the ceiling
- ⚠ From the use of a 4th extension module above the insert, an aperture load frame (BLR) must be used.

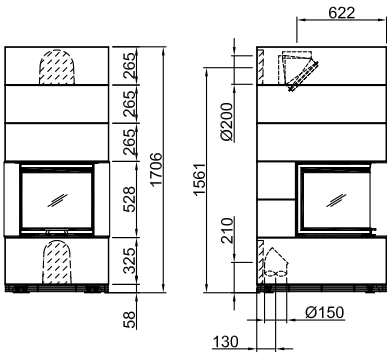
ACCESSORIES	DESCRIPTION	INDEX	SURCHARGE (€)
Extension module	Untreated concrete, height 265 mm	M	350.42
	Primed concrete, height 265 mm	M	425.21
Insulation kit	For an installation flush with the ceiling	MD	110.92
Radiation protection	For a flush with the wall construction	MS	105.04
Installation frame (BLR)	Decouples the fireplace insert and the cladding. Recommended for plastered installations to minimize crack formation.	BLRSIM	376.47

CAIR	DESCRIPTION	INDEX	SURCHARGE (€)
S-THERMATIK NEO ❷	Combustion control for fireplaces with black display frame ❶	NEOS	1,480.00
	Combustion control for fireplaces with white display frame ❶	NEOW	1,480.00
	Protective housing for the control unit, including membrane for wire routing	SSK	42.00
S-THERMATIK NEO BASIC ❷	Combustion control for fireplaces	NEOB	775.00
S-USI II	Underpressure control interface	SBZ	950.00
	Wall mounting box incl. glass cover	WED	164.00

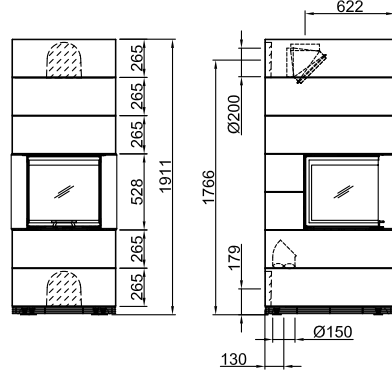
❶ Price when ordered with fireplace! ❷ When ordering with the fireplace ❸ The display must be placed externally

FRONT VIEW | SIDE VIEW

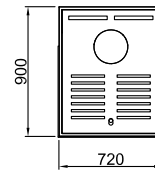
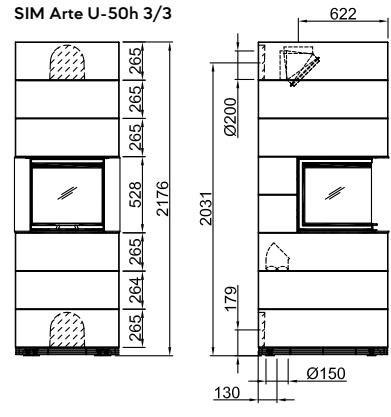
SIM Arte U-50h 1/3



SIM Arte U-50h 2/3

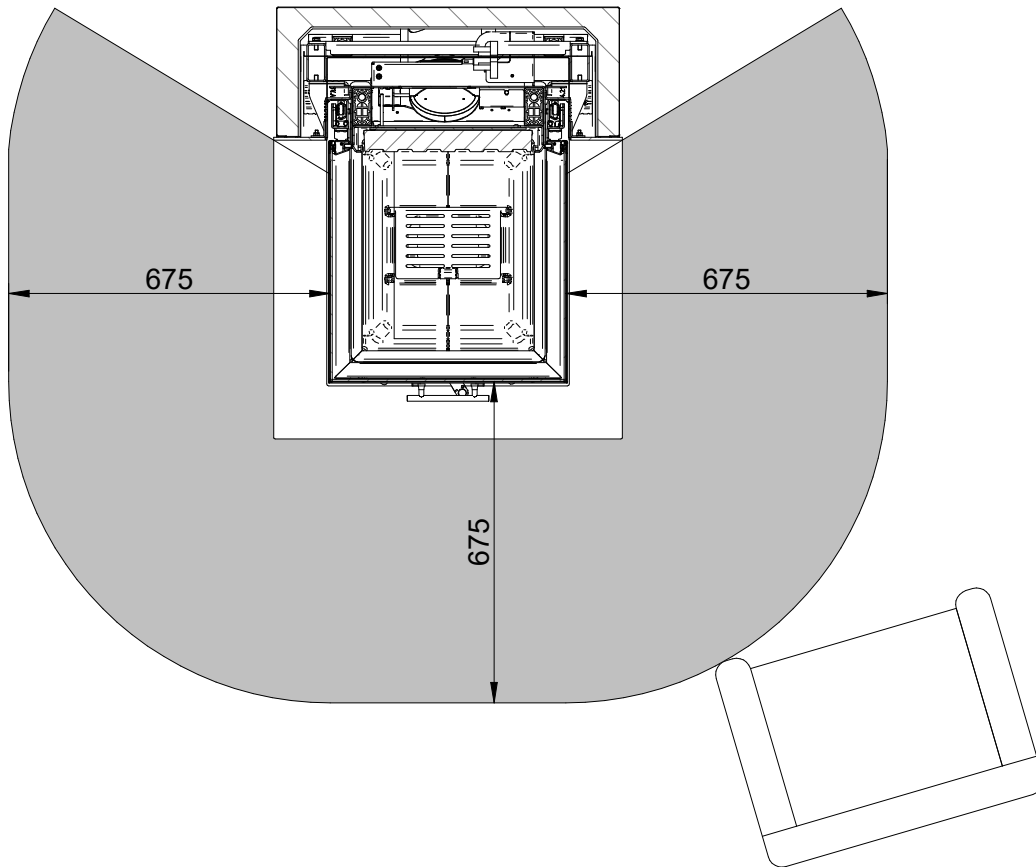


SIM Arte U-50h 3/3



SIM Arte U-50h
Top view

FIRE CAUTIONS





SIM Arte U-70h 1/3



SIM Arte U-70h 2/3



SIM Arte U-70h 3/3

- Firewood
- 33 cm
- Slide-up, not self-closing
- Left/right stop
- Single glazing
- A** ⁺ ₆
- 11.4 kW
- 8.0 - 14.8 kW
- P. 60

MODEL	ITEM NO.	PRICE (€)	VERSION	INDEX	SURCHARGE (€)
SIM Arte U-70h	1074139	8,873.95	RLA	RLA	0.00
EBORIS 1300 ULTRA BLACK	INDEX	SURCHARGE (€)			
Refractories complete set ¹	S	357.65			

MODULE CLADDING	VERSION	INDEX	SURCHARGE (€)
SIM 1/3 Untreated concrete	RLA	NA1/3	0.00
SIM 2/3 Untreated concrete	RLA	NA2/3	334.45
SIM 3/3 Untreated concrete	RLA	NA3/3	666.39
SIM 1/3 Primed concrete	RLA	FB1/3	1,775.63
SIM 2/3 Primed concrete	RLA	FB2/3	2,177.31
SIM 3/3 Primed concrete	RLA	FB3/3	2,578.99

- ¹ Optional extension modules for an installation flush with the ceiling
- ² From the use of a 4th extension module above the insert, an aperture load frame (BLR) must be used.

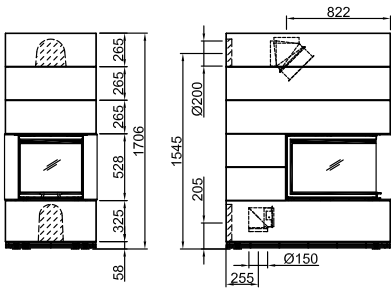
ACCESSORIES	DESCRIPTION	INDEX	SURCHARGE (€)
Extension module	Untreated concrete, height 265 mm	M	350.42
	Primed concrete, height 265 mm	M	425.21
Insulation kit	For an installation flush with the ceiling	MD	145.38
Radiation protection	For a flush with the wall construction	MS	105.04
Installation frame (BLR)	Decouples the fireplace insert and the cladding. Recommended for plastered installations to minimize crack formation.	BLRSIM	376.47

CAIR	DESCRIPTION	INDEX	SURCHARGE (€)
S-THERMATIK NEO ²	Combustion control for fireplaces with black display frame ³	NEOS	1,480.00
	Combustion control for fireplaces with white display frame ³	NEOW	1,480.00
	Protective housing for the control unit, including membrane for wire routing	SSK	42.00
S-THERMATIK NEO BASIC ²	Combustion control for fireplaces	NEOB	775.00
S-ESAM 3.0	Electric sliding door with remote control ¹ (RLA only)	On request	
S-USI II	Underpressure control interface	SBZ	950.00
	Wall mounting box incl. glass cover	WED	164.00

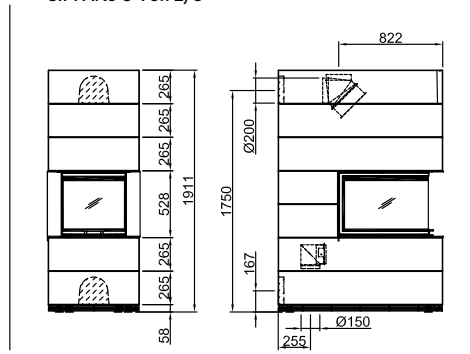
¹ Price when ordered with fireplace! ² When ordering with the fireplace ³ The display must be placed externally

FRONT VIEW | SIDE VIEW

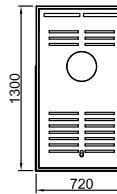
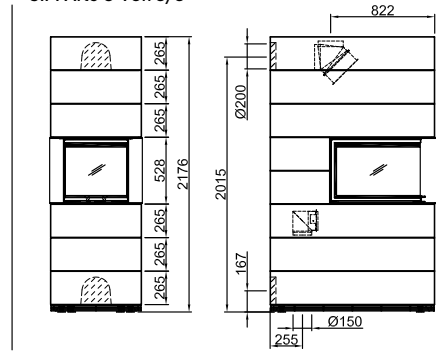
SIM Arte U-70h 1/3



SIM Arte U-70h 2/3



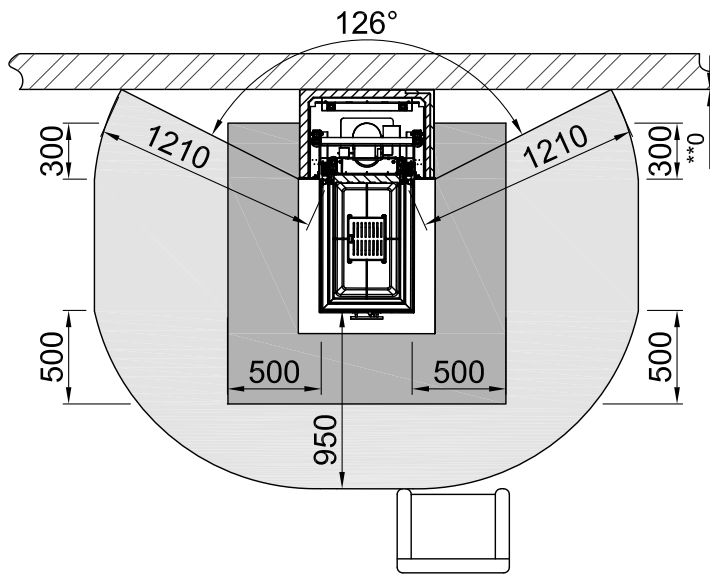
SIM Arte U-70h 3/3



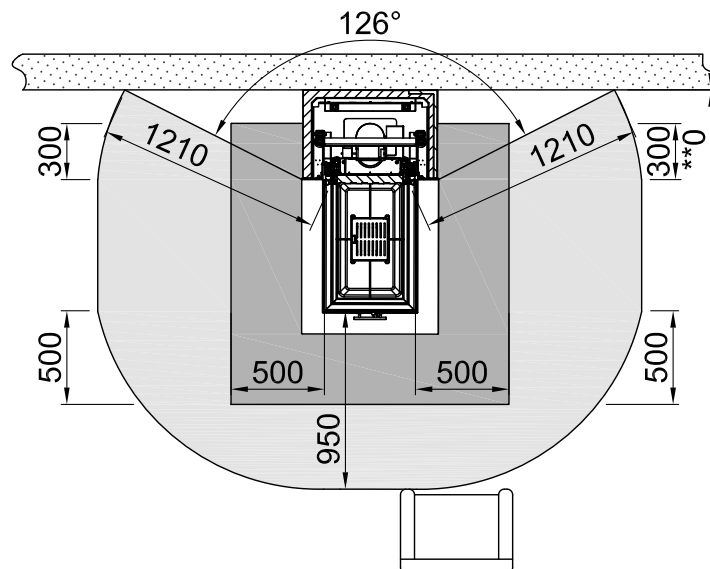
SIM Arte U-70h
Top view

FIRE CAUTIONS

INSTALLATION SITUATION WITH PROTECTED REAR WALL



INSTALLATION SITUATION WITH UNPROTECTED REAR WALL



H₂O

** Using a heat protection plate



SIM Arte 3RL-60h 1/3



SIM Arte 3RL-60h 2/3



SIM Arte 3RL-60h 3/3

- Firewood
- 33 cm
- Slide-up, not self-closing
- Left/right stop
- Single glazing
- A** ⁺ ₆
- 10.0 kW
- 7.0 - 13.0 kW
- P. 61

MODEL	ITEM NO.	PRICE (€)	VERSION	INDEX	SURCHARGE (€)
SIM Arte 3RL-60h	1074146	8,319.33	RLA	RLA	0.00
EBORIS 1300 ULTRA BLACK	INDEX	SURCHARGE (€)			
Refractories complete set ①	S	277.06			

MODULE CLADDING	VERSION	INDEX	SURCHARGE (€)
SIM 1/3 Untreated concrete	RLA	NA1/3	0.00
SIM 2/3 Untreated concrete	RLA	NA2/3	333.61
SIM 3/3 Untreated concrete	RLA	NA3/3	665.55
SIM 1/3 Primed concrete	RLA	FB1/3	1,663.87
SIM 2/3 Primed concrete	RLA	FB2/3	2,065.55
SIM 3/3 Primed concrete	RLA	FB3/3	2,466.39

⚠ Optional extension modules for an installation flush with the ceiling

⚠ From the use of a 4th extension module above the insert, an aperture load frame (BLR) must be used.

ACCESSORIES	DESCRIPTION	INDEX	SURCHARGE (€)
Extension module	Untreated concrete, height 265 mm	M	350.42
	Primed concrete, height 265 mm	M	425.21
Insulation kit	For an installation flush with the ceiling	MD	126.89
Radiation protection	For a flush with the wall construction	MS	105.04
Installation frame (BLR)	Decouples the fireplace insert and the cladding. Recommended for plastered installations to minimize crack formation.	BLRSIM	376.47

CAIR	DESCRIPTION	INDEX	SURCHARGE (€)
S-THERMATIK NEO ②	Combustion control for fireplaces with black display frame ①	NEOS	1,480.00
	Combustion control for fireplaces with white display frame ①	NEOW	1,480.00
	Protective housing for the control unit, including membrane for wire routing	SSK	42.00
S-THERMATIK NEO BASIC ②	Combustion control for fireplaces	NEOB	775.00
S-ESAM 3.0	Electric sliding door with remote control (⚠ RLA only)	On request	
S-USI II	Underpressure control interface	SBZ	950.00
	Wall mounting box incl. glass cover	WED	164.00

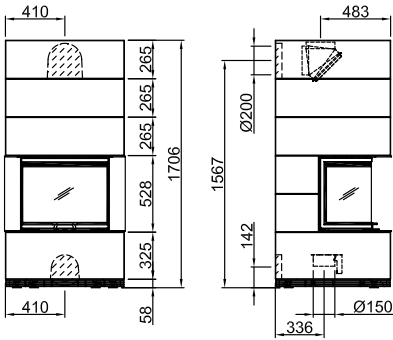
① Price when ordered with fireplace!

② When ordering with the fireplace

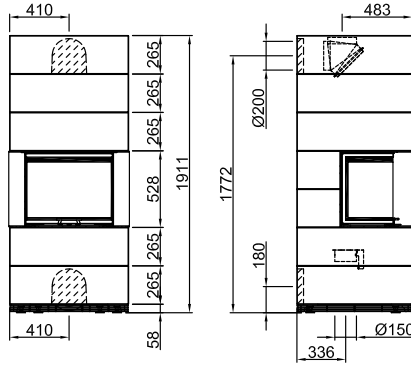
③ The display must be placed externally

FRONT VIEW | SIDE VIEW

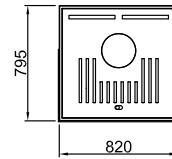
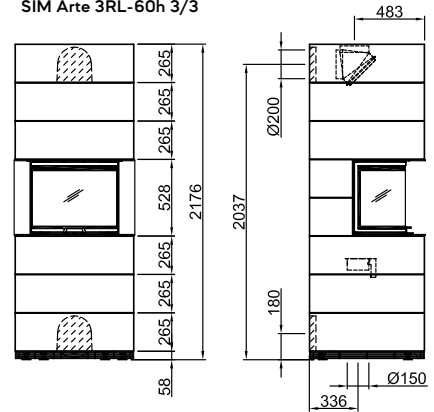
SIM Arte 3RL-60h 1/3



SIM Arte 3RL-60h 2/3

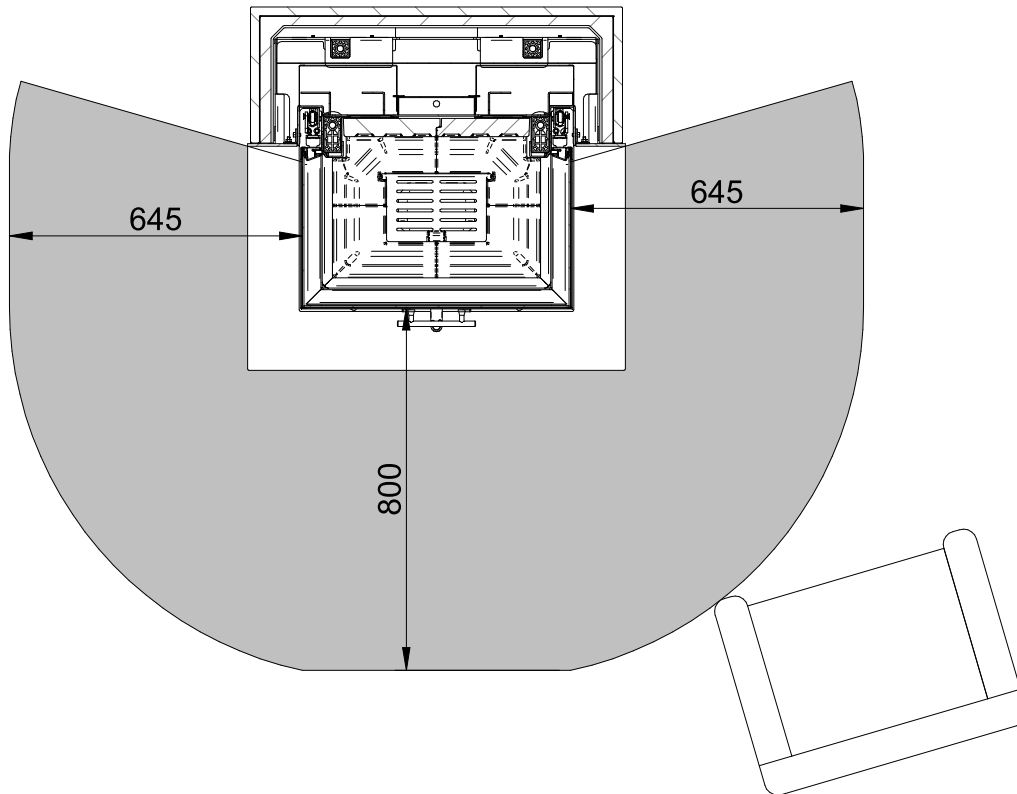


SIM Arte 3RL-60h 3/3



SIM Arte 3RL-60h
Top view

FIRE CAUTIONS



H₂O

SIM SIM VARIA 2L-55H H₂O



SIM Varia 2L-55h H₂O 1/3



SIM Varia 2L-55h H₂O 2/3



SIM Varia 2L-55h H₂O 3/3



Firewood



33 cm



Slide-up, self-closing



Right stop



Single glazing



A⁺



7.0 kW | 4.2 kW



4.9 - 9.1 kW



P. 61

MODEL	ITEM NO.	PRICE (€)	VERSION	INDEX	SURCHARGE (€)
SIM Varia 2L-55h H ₂ O	1074179	7,987.39	RLA	RLA	0.00
EBORIS 1300 ULTRA BLACK	INDEX	SURCHARGE (€)			
Refractories complete set ①	S				

MODULE CLADDING	VERSION	INDEX	SURCHARGE (€)
SIM 1/3 Untreated concrete	RLA	NA1/3	0.00
SIM 2/3 Untreated concrete	RLA	NA2/3	333.61
SIM 3/3 Untreated concrete	RLA	NA3/3	666.39
SIM 1/3 Primed concrete	RLA	FB1/3	1,606.72
SIM 2/3 Primed concrete	RLA	FB2/3	2,010.08
SIM 3/3 Primed concrete	RLA	FB3/3	2,411.76

ACCESSORIES	DESCRIPTION	INDEX	SURCHARGE (€)
Extension module	Untreated concrete, height 265 mm	M	350.42
	Primed concrete, height 265 mm	M	425.21
Insulation kit	For an installation flush with the ceiling	MD	98.32
SVS	Separate combustion air connector with single-hand clamp lock Compatibility: NA1/3, FB1/3	SVS	129.00
	Separate combustion air connector incl. clip (downward) Compatibility: NA2/3, NA3/3, FB2/3, FB3/3	SVSU	69.00
Hydraulic connection set (⚠ The inspection capability of the hydraulic fittings must be guaranteed.)	Fast ventilator, heating manometer and security valve pre-mounted to insert	AS	203.36
Pump thermostat	Housing thermostat for switching the circulation pump or return flow boost on and off	1011824	63.00
Resistance thermometer	Cable temperature sensor 3 m cable 6 x 40 mm / PT1000	1013792	18.00

CAIR	DESCRIPTION	INDEX	SURCHARGE (€)
S-THERMATIK NEO ②	Combustion control for fireplaces with black display frame ③	NEOS	1,480.00
	Combustion control for fireplaces with white display frame ③	NEOW	1,480.00
	Protective housing for the control unit, including membrane for wire routing	SSK	42.00
S-THERMATIK NEO BASIC ②	Combustion control for fireplaces	NEOB	775.00
S-ESAM 3.0	Electric sliding door with remote control	On request	
S-USI II	Underpressure control interface	SBZ	950.00
	Wall mounting box incl. glass cover	WED	164.00

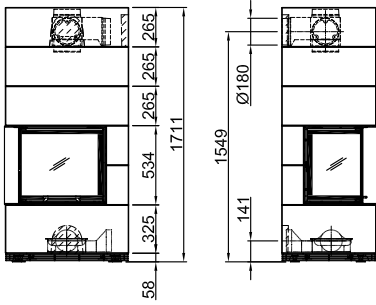
① Price when ordered with fireplace!

② When ordering with the fireplace

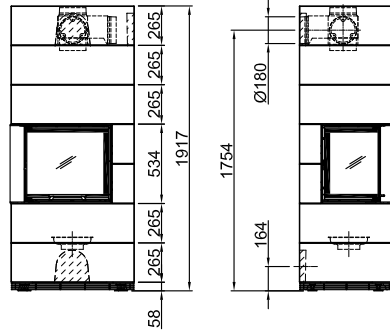
③ The display must be placed externally

FRONT VIEW | SIDE VIEW

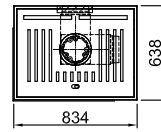
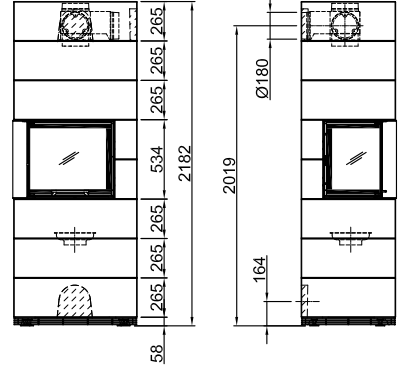
SIM Varia 2L-55h H₂O
1/3



SIM Varia 2L-55h H₂O
2/3



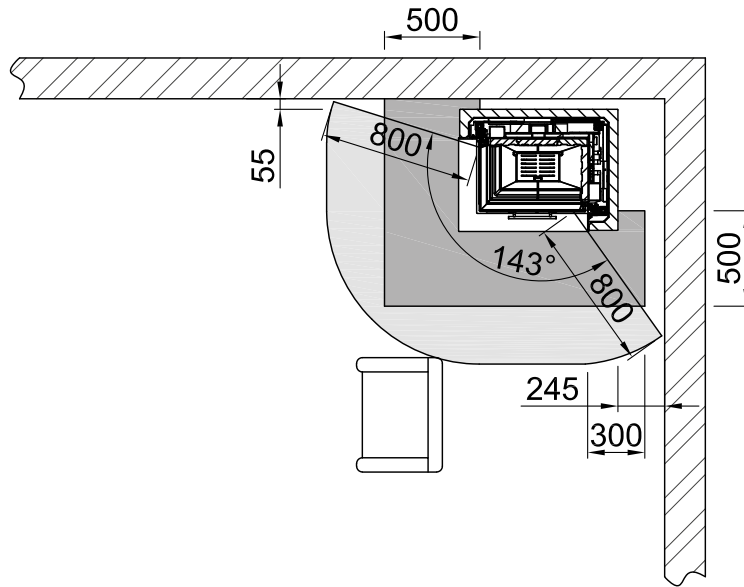
SIM Varia 2L-55h H₂O
3/3



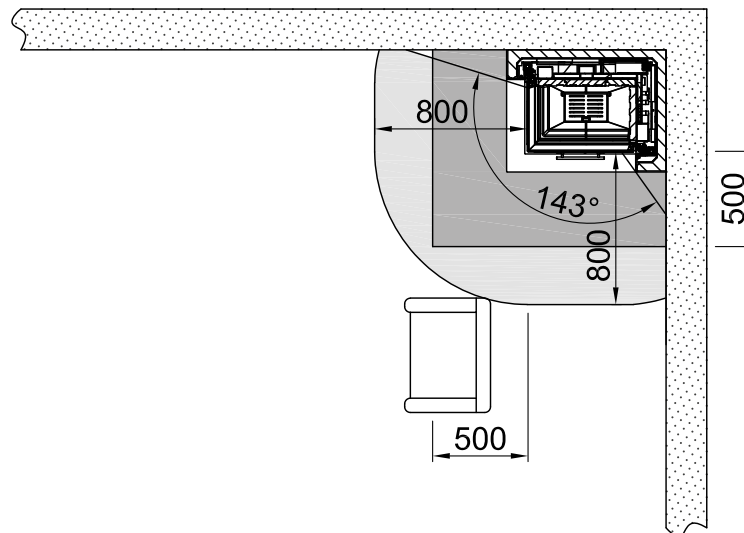
SIM Varia 2L-55h
H₂O
Top view

FIRE CAUTIONS

INSTALLATION SITUATION WITH PROTECTED REAR WALL



INSTALLATION SITUATION WITH UNPROTECTED REAR WALL



H₂O

SIM SIM VARIA 2R-55H H₂O



SIM Varia 2R-55h H₂O 1/3



SIM Varia 2R-55h H₂O 2/3



SIM Varia 2R-55h H₂O 3/3

- Firewood
- 33 cm
- Slide-up, self-closing
- Left stop
- Single glazing
- A+++**
- 7.0 kW | 4.2 kW
- 4.9 - 9.1 kW
- P. 61

MODEL	ITEM NO.	PRICE (€)	VERSION	INDEX	SURCHARGE (€)
SIM Varia 2R-55h H ₂ O	1074184	7,987.39	RLA	RLA	0.00
EBORIS 1300 ULTRA BLACK	INDEX	SURCHARGE (€)			
Refractories complete set ①	S				

MODULE CLADDING	VERSION	INDEX	SURCHARGE (€)
SIM 1/3 Untreated concrete	RLA	NA1/3	0.00
SIM 2/3 Untreated concrete	RLA	NA2/3	333.61
SIM 3/3 Untreated concrete	RLA	NA3/3	666.39
SIM 1/3 Primed concrete	RLA	FB1/3	1,606.72
SIM 2/3 Primed concrete	RLA	FB2/3	2,010.08
SIM 3/3 Primed concrete	RLA	FB3/3	2,411.76

ACCESSORIES	DESCRIPTION	INDEX	SURCHARGE (€)
Extension module	Untreated concrete, height 265 mm	M	350.42
	Primed concrete, height 265 mm	M	425.21
Insulation kit	For an installation flush with the ceiling	MD	98.32
SVS	Separate combustion air connector with single-hand clamp lock Compatibility: NA1/3, FB1/3	SVS	129.00
	Separate combustion air connector incl. clip (downward) Compatibility: NA2/3, NA3/3, FB2/3, FB3/3	SVSU	69.00
Hydraulic connection set (⚠ The inspection capability of the hydraulic fittings must be guaranteed.)	Fast ventilator, heating manometer and security valve pre-mounted to insert	AS	203.36
Pump thermostat	Housing thermostat for switching the circulation pump or return flow boost on and off	1011824	63.00
Resistance thermometer	Cable temperature sensor 3 m cable 6 x 40 mm / PT1000	1013792	18.00

CAIR	DESCRIPTION	INDEX	SURCHARGE (€)
S-THERMATIK NEO ②	Combustion control for fireplaces with black display frame ③	NEOS	1,480.00
	Combustion control for fireplaces with white display frame ③	NEOW	1,480.00
SSK	Protective housing for the control unit, including membrane for wire routing	SSK	42.00
S-THERMATIK NEO BASIC ②	Combustion control for fireplaces	NEOB	775.00
S-ESAM 3.0	Electric sliding door with remote control	On request	
S-USI II	Underpressure control interface	SBZ	950.00
	Wall mounting box incl. glass cover	WED	164.00

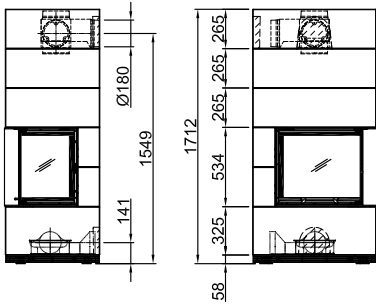
① Price when ordered with fireplace!

② When ordering with the fireplace

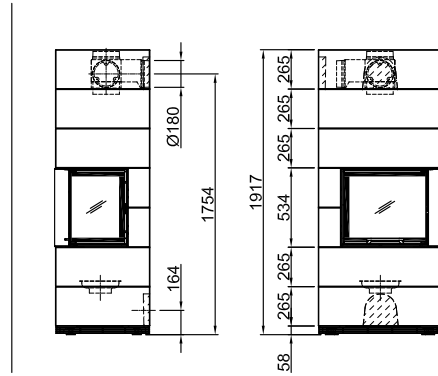
③ The display must be placed externally

FRONT VIEW | SIDE VIEW

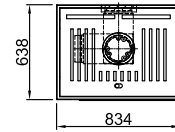
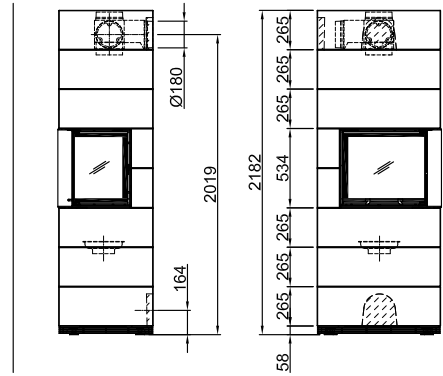
SIM Varia 2R-55h H₂O
1/3



SIM Varia 2R-55h H₂O
2/3



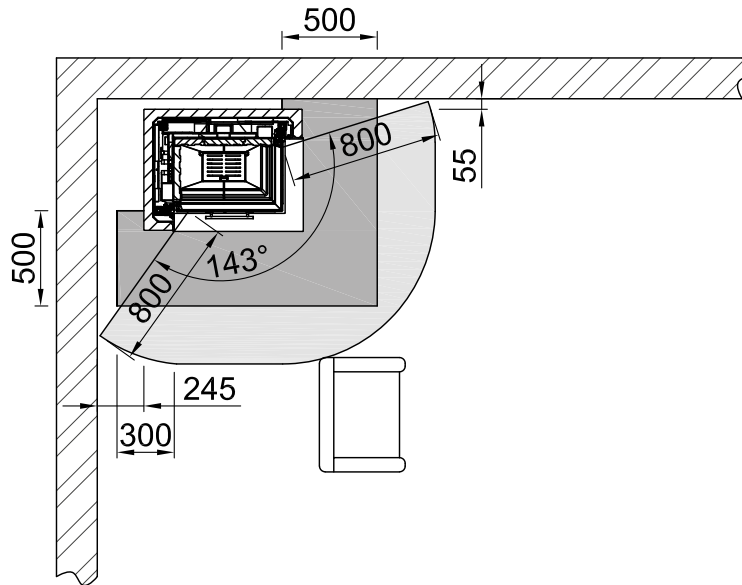
SIM Varia 2R-55h H₂O
3/3



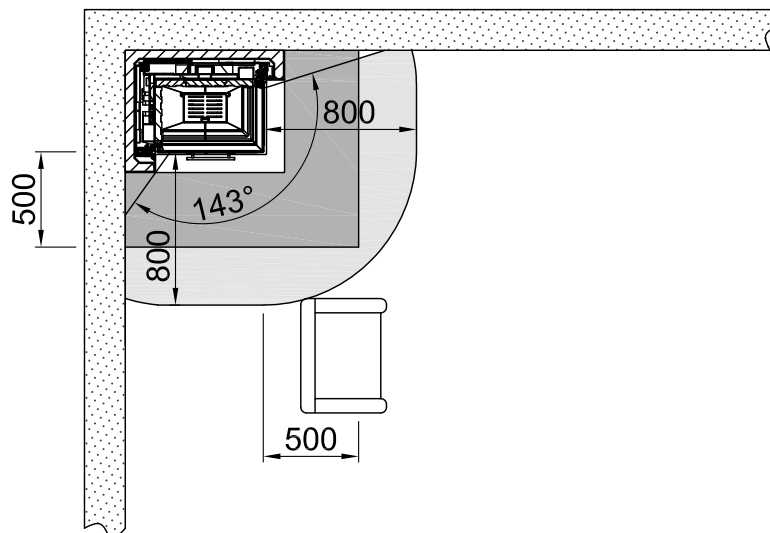
SIM Varia 2R-55h
H₂O
Top view

FIRE CAUTIONS

INSTALLATION SITUATION WITH PROTECTED REAR WALL



INSTALLATION SITUATION WITH UNPROTECTED REAR WALL



H₂O



SIM Varia 2Lh H₂O 1/3



SIM Varia 2Lh H₂O 2/3



SIM Varia 2Lh H₂O 3/3



Firewood



33 cm



Slide-up, self-closing



Right stop



Single glazing



A₁ E



10.4 kW | 5.9 kW



7.3 - 13.5 kW



P. 61

MODEL	ITEM NO.	PRICE (€)	VERSION	INDEX	SURCHARGE (€)
SIM Varia 2Lh H ₂ O	1074186	9,373.95	RLA	RLA	0.00
EBORIS 1300 ULTRA BLACK	INDEX	SURCHARGE (€)			
Refractories complete set ❶	S				

MODULE CLADDING	VERSION	INDEX	SURCHARGE (€)
SIM 1/3 Untreated concrete	RLA	NA1/3	0.00
SIM 2/3 Untreated concrete	RLA	NA2/3	333.61
SIM 3/3 Untreated concrete	RLA	NA3/3	666.39
SIM 1/3 Primed concrete	RLA	FB1/3	1,886.55
SIM 2/3 Primed concrete	RLA	FB2/3	2,287.39
SIM 3/3 Primed concrete	RLA	FB3/3	2,689.92

ACCESSORIES	DESCRIPTION	INDEX	SURCHARGE (€)
Extension module	Untreated concrete, height 265 mm	M	350.42
	Primed concrete, height 265 mm	M	425.21
Insulation kit	For an installation flush with the ceiling	MD	98.32
SVS	Separate combustion air connector with single-hand clamp lock Compatibility: NA1/3, FB1/3	SVS	129.00
	Separate combustion air connector incl. clip (downward) Compatibility: NA2/3, NA3/3, FB2/3, FB3/3	SVSU	69.00
Hydraulic connection set (⚠ The inspection capability of the hydraulic fittings must be guaranteed.)	Fast ventilator, heating manometer and security valve pre-mounted to insert	AS	203.36
Pump thermostat	Housing thermostat for switching the circulation pump or return flow boost on and off	1011824	63.00
Resistance thermometer	Cable temperature sensor 3 m cable 6 x 40 mm / PT1000	1013792	18.00

CAIR	DESCRIPTION	INDEX	SURCHARGE (€)
S-THERMATIK NEO ❷	Combustion control for fireplaces with black display frame ❸	NEOS	1,480.00
	Combustion control for fireplaces with white display frame ❸	NEOW	1,480.00
	Protective housing for the control unit, including membrane for wire routing	SSK	42.00
S-THERMATIK NEO BASIC ❸	Combustion control for fireplaces	NEOB	775.00
S-ESAM 3.0	Electric sliding door with remote control	On request	
S-USI II	Underpressure control interface	SBZ	950.00
	Wall mounting box incl. glass cover	WED	164.00

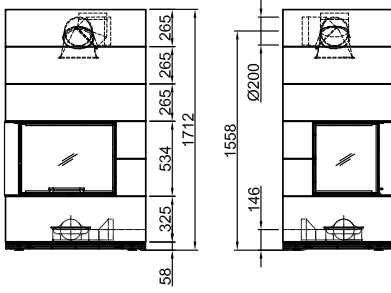
❶ Price when ordered with fireplace!

❷ When ordering with the fireplace

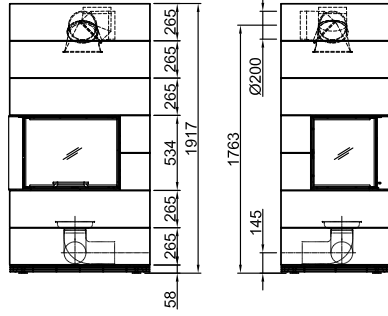
❸ The display must be placed externally

FRONT VIEW | SIDE VIEW

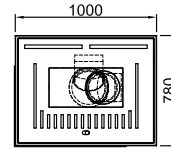
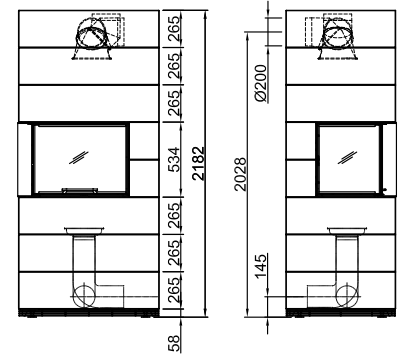
SIM Varia 2Lh H₂O 1/3



SIM Varia 2Lh H₂O 2/3



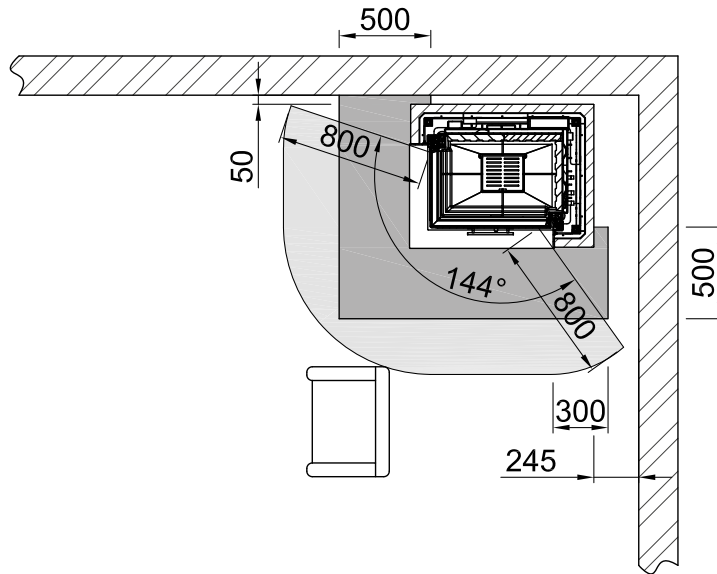
SIM Varia 2Lh H₂O 3/3



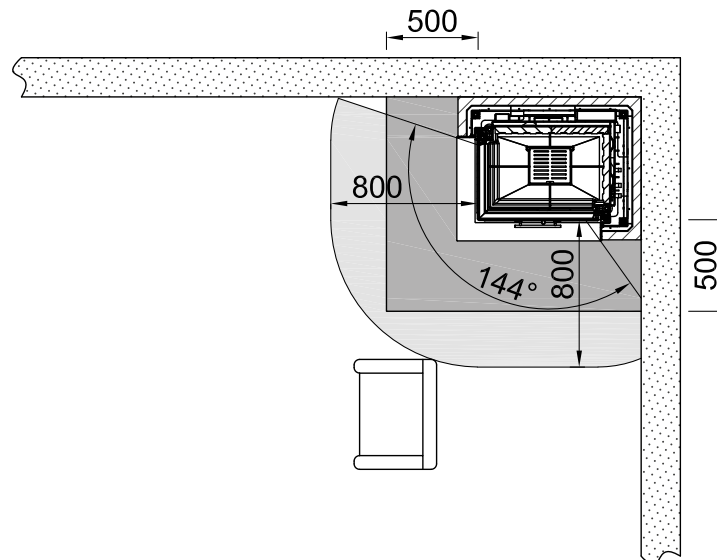
SIM Varia 2Lh H₂O
Top view

FIRE CAUTIONS

INSTALLATION SITUATION WITH PROTECTED REAR WALL



INSTALLATION SITUATION WITH UNPROTECTED REAR WALL



H₂O

SIM SIM VARIA 2RH H₂O



SIM Varia 2Rh H₂O 1/3



SIM Varia 2Rh H₂O 2/3



SIM Varia 2Rh H₂O 3/3

- Firewood
- 33 cm
- Slide-up, self-closing
- Left stop
- Single glazing
- A+++**
- 10.4 kW | 5.9 kW
- 7.3 - 13.5 kW
- P. 61

MODEL	ITEM NO.	PRICE (€)	VERSION	INDEX	SURCHARGE (€)
SIM Varia 2Rh H ₂ O	1074195	9,373.95	RLA	RLA	0.00
EBORIS 1300 ULTRA BLACK	INDEX	SURCHARGE (€)			
Refractories complete set ①	S				

MODULE CLADDING	VERSION	INDEX	SURCHARGE (€)
SIM 1/3 Untreated concrete	RLA	NA1/3	0.00
SIM 2/3 Untreated concrete	RLA	NA2/3	333.61
SIM 3/3 Untreated concrete	RLA	NA3/3	666.39
SIM 1/3 Primed concrete	RLA	FB1/3	1,886.55
SIM 2/3 Primed concrete	RLA	FB2/3	2,287.39
SIM 3/3 Primed concrete	RLA	FB3/3	2,689.92

ACCESSORIES	DESCRIPTION	INDEX	SURCHARGE (€)
Extension module	Untreated concrete, height 265 mm	M	350.42
	Primed concrete, height 265 mm	M	425.21
Insulation kit	For an installation flush with the ceiling	MD	98.32
SVS	Separate combustion air connector with single-hand clamp lock Compatibility: NA1/3, FB1/3	SVS	129.00
	Separate combustion air connector incl. clip (downward) Compatibility: NA2/3, NA3/3, FB2/3, FB3/3	SVSU	69.00
Hydraulic connection set (⚠ The inspection capability of the hydraulic fittings must be guaranteed.)	Fast ventilator, heating manometer and security valve pre-mounted to insert	AS	203.36
Pump thermostat	Housing thermostat for switching the circulation pump or return flow boost on and off	1011824	63.00
Resistance thermometer	Cable temperature sensor 3 m cable 6 x 40 mm / PT1000	1013792	18.00

CAIR	DESCRIPTION	INDEX	SURCHARGE (€)
S-THERMATIK NEO ②	Combustion control for fireplaces with black display frame ③	NEOS	1,480.00
	Combustion control for fireplaces with white display frame ③	NEOW	1,480.00
SSK	Protective housing for the control unit, including membrane for wire routing	SSK	42.00
S-THERMATIK NEO BASIC ②	Combustion control for fireplaces	NEOB	775.00
S-ESAM 3.0	Electric sliding door with remote control	On request	
S-USI II	Underpressure control interface	SBZ	950.00
	Wall mounting box incl. glass cover	WED	164.00

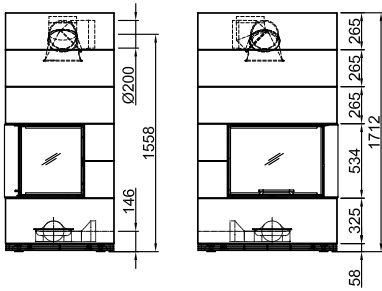
① Price when ordered with fireplace!

② When ordering with the fireplace

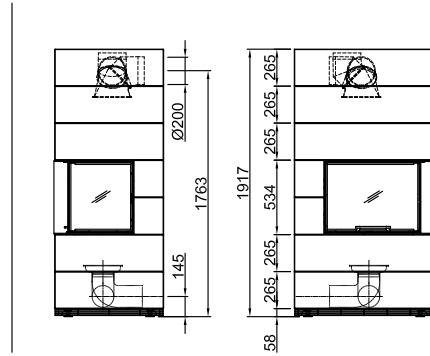
③ The display must be placed externally

FRONT VIEW | SIDE VIEW

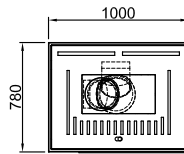
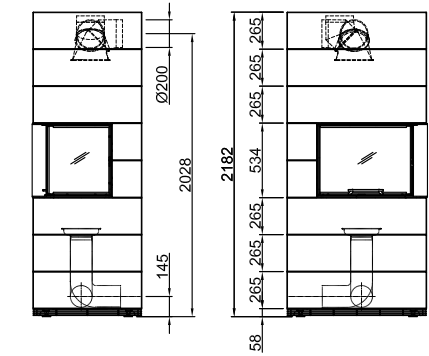
SIM Varia 2Rh H₂O 1/3



SIM Varia 2Rh H₂O 2/3



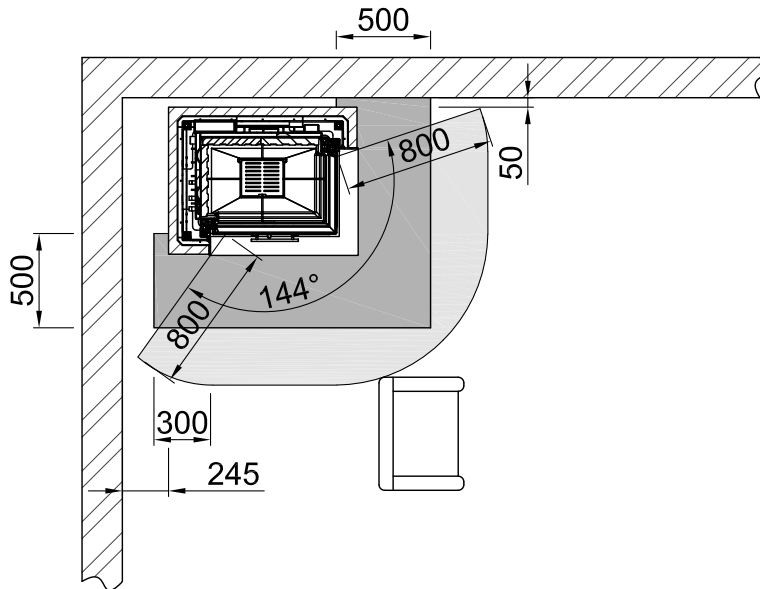
SIM Varia 2Rh H₂O 3/3



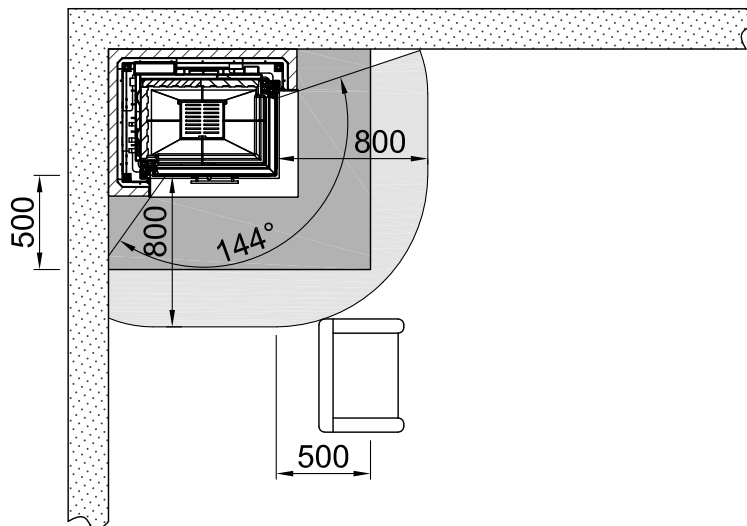
SIM Varia 2Rh H₂O
Top view

FIRE CAUTIONS

INSTALLATION SITUATION WITH PROTECTED REAR WALL



INSTALLATION SITUATION WITH UNPROTECTED REAR WALL



H₂O

SIM T = UNIT ADDITIONALLY TESTED WITH S-THERMATIK NEO		SIM Varia 2L-55h Varia 2Rh-55h 1/3	SIM Varia 2L-55h Varia 2R-55h 2/3	SIM Varia 2L-55h Varia 2R-55h 3/3	SIM Varia 2Lh Varia 2Rh 1/3	SIM Varia 2Lh Varia 2Rh 2/3	SIM Varia 2Lh Varia 2Rh 3/3	
General data	Energy efficiency class							
	Nominal heat output	kW	7.0	7.0	7.0	10.5	10.5	
	Efficiency	%	80	80	80	80	80	
	Output range	kW	4.9 - 9.1	4.9 - 9.1	4.9 - 9.1	7.4 - 13.7	7.4 - 13.7	7.4 - 13.7
	Room capacity	kW	7.0	7.0	7.0	10.5	10.5	10.5
	Water capacity	kW	-	-	-	-	-	-
	Flue gas mass flow	g/s	6.1	6.1	6.1	10.8	10.8	10.8
	Flue gas temperature on flue gas connection	°C	325	325	325	290	290	290
Min. air supply pressure at nominal heat output	Pa	12	12	12	12	12	12	
Weights	Total weight	kg	460	500	540	520	560	600
	Weight of the fireplace insert	kg	200	200	200	257	257	257
	Dry weight C-element*	kg	23	23	23	30	30	30
	Dry weight ring element small	kg	38	38	38	48	48	48
	Dry weight ring element high	kg	48	48	48	59	59	59
Maße	Flue pipe diameter Ø	mm	180	180	180	200	200	200
	Supply air inlets Ø	mm	150	150	150	150	150	150
	Multiple configuration		✓	✓	✓	✓	✓	✓
Certificates Approvals	2. BImSchV. 2010		✓	✓	✓	✓	✓	✓
	Ecodesign 2022		✓	✓	✓	✓	✓	✓

SIM T = UNIT ADDITIONALLY TESTED WITH S-THERMATIK NEO		SIM Arte U-50h 1/3	SIM Arte U-50h 2/3	SIM Arte U-50h 3/3	SIM Arte U-70h 1/3	SIM Arte U-70h 2/3	SIM Arte U-70h 3/3	
General data	Energy efficiency class							
	Nominal heat output	kW	9.3	9.3	9.3	11.4	11.4	
	Efficiency	%	81	81	81	81	81	
	Output range	kW	6.5 - 12.1	6.5 - 12.1	6.5 - 12.1	8.0 - 14.8	8.0 - 14.8	8.0 - 14.8
	Room capacity	kW	9.3	9.3	9.3	11.4	11.4	11.4
	Water capacity	kW	-	-	-	-	-	-
	Flue gas mass flow	g/s	8.6	8.6	8.6	11.2	11.2	11.2
	Flue gas temperature on flue gas connection	°C	311	311	311	296	296	296
Min. air supply pressure at nominal heat output	Pa	12	12	12	12	12	12	
Weights	Total weight	kg	585	620	665	830	885	940
	Weight of the fireplace insert	kg	235	235	235	342	342	342
	Dry weight C-element*	kg	18	18	18	23	23	23
	Dry weight ring element small	kg	42	42	42	54	54	54
	Dry weight ring element high	kg	52	52	52	65	65	65
Maße	Flue pipe diameter Ø	mm	200	200	200	200	200	200
	Supply air inlets Ø	mm	150	150	150	150	150	150
	Multiple configuration		✓	✓	✓	✓	✓	✓
Certificates Approvals	2. BImSchV. 2010		✓	✓	✓	✓	✓	✓
	Ecodesign 2022		✓	✓	✓	✓	✓	✓

* C elements are concrete elements required for surrounding fireplace inserts.

Please refer to the overview for information on the total height and weight of the respective versions.

Special feature of the 1-sided or 3-sided SIM: These inserts have been tested in accordance with DIN EN 13240 (as a stove) and may be installed close to either combustible walls or similar wall constructions with no additional measures such as for example insulation/front-mounted masonry or similar!

SIM T = UNIT ADDITIONALLY TESTED WITH S-THERMATIK NEO			SIM Arte 3RL-60h 1/3	SIM Arte 3RL-60h 2/3	SIM Arte 3RL-60h 3/3	SIM Varia 2L-55h H ₂ O Varia 2R-55h H ₂ O 1/3	SIM Varia 2L-55h H ₂ O Varia 2R-55h H ₂ O 2/3	SIM Varia 2L-55h H ₂ O Varia 2R-55h H ₂ O 3/3
General data	Energy efficiency class							
	Nominal heat output	kW	10.0	10.0	10.0	7.0	7.0	7.0
	Efficiency	%	81	81	81	85	85	85
	Output range	kW	7.0 - 13.0	7.0 - 13.0	7.0 - 13.0	4.9 - 9.1	4.9 - 9.1	4.9 - 9.1
	Room capacity	kW	10.0	10.0	10.0	2.8	2.8	2.8
	Water capacity	kW	-	-	-	4.2	4.2	4.2
	Flue gas mass flow	g/s	10.5	10.5	10.5	7.4	7.4	7.4
	Flue gas temperature on flue gas connection	°C	270	270	270	230	230	230
Min. air supply pressure at nominal heat output	Pa	12	12	12	12	12	12	
Weights	Total weight	kg	690	730	770	590	630	670
	Weight of the fireplace insert	kg	264	264	264	384	384	384
	Dry weight C-element*	kg	20	20	20	23	23	23
	Dry weight ring element small	kg	42	42	42	38	38	38
	Dry weight ring element high	kg	50	50	50	48	48	48
Maße	Flue pipe diameter Ø	mm	200	200	200	180	180	180
	Supply air inlets Ø	mm	150	150	150	150	150	150
	Multiple configuration		✓	✓	✓	✓	✓	✓
Certificates Approvals	2. BImSchV. 2010		✓	✓	✓	✓	✓	✓
	Ecodesign 2022		✓	✓	✓	✓	✓	✓

SIM T = UNIT ADDITIONALLY TESTED WITH S-THERMATIK NEO			SIM Varia 2Lh H ₂ O Varia 2Rh H ₂ O 1/3	SIM Varia 2Lh H ₂ O Varia 2Rh H ₂ O 2/3	SIM Varia 2Lh H ₂ O Varia 2Rh H ₂ O 3/3	SIM Varia 2L-55h RLU Varia 2R-55h RLU 1/3	SIM Varia 2L-55h RLU Varia 2R-55h RLU 2/3	SIM Varia 2L-55h RLU Varia 2R-55h RLU 3/3
General data	Energy efficiency class							
	Nominal heat output	kW	10.4	10.4	10.4	7.0	7.0	7.0
	Efficiency	%	82	82	82	80	80	80
	Output range	kW	7.3 - 13.5	7.3 - 13.5	7.3 - 13.5	4.9 - 9.1	4.9 - 9.1	4.9 - 9.1
	Room capacity	kW	4.5	4.5	4.5	7.0	7.0	7.0
	Water capacity	kW	5.9	5.9	5.9	-	-	-
	Flue gas mass flow	g/s	10.8	10.8	10.8	6.1	6.1	6.1
	Flue gas temperature on flue gas connection	°C	285	285	285	325	325	325
Min. air supply pressure at nominal heat output	Pa	12	12	12	12	12	12	
Weights	Total weight	kg	658	698	738	520	560	600
	Weight of the fireplace insert	kg	367	367	367	222	222	222
	Dry weight C-element*	kg	30	30	30	23	23	23
	Dry weight ring element small	kg	48	48	48	38	38	38
	Dry weight ring element high	kg	59	59	59	48	48	48
Maße	Flue pipe diameter Ø	mm	200	200	200	180	180	180
	Supply air inlets Ø	mm	150	150	150	150	150	150
	Multiple configuration		✓	✓	✓	✓	✓	✓
Certificates Approvals	2. BImSchV. 2010		✓	✓	✓	✓	✓	✓
	Ecodesign 2022		✓	✓	✓	✓	✓	✓

* C elements are concrete elements required for surrounding fireplace inserts.

Please refer to the overview for information on the total height and weight of the respective versions.

Special feature of the 1-sided or 3-sided SIM: These inserts have been tested in accordance with DIN EN 13240 (as a stove) and may be installed close to either combustible walls or similar wall constructions with no additional measures such as for example insulation/front-mounted masonry or similar!